

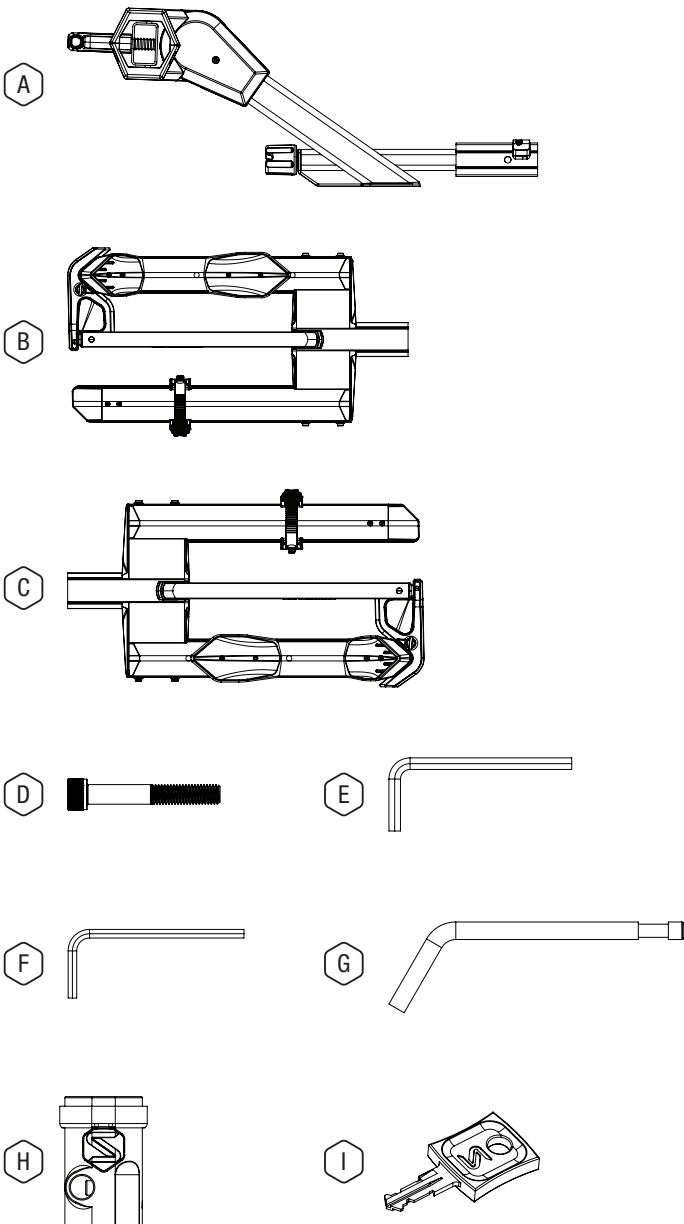
SuperClamp 2-Bike #4082

Assembly Instructions | Instrucciones de montaje | Instructions d'assemblage



WHAT'S IN THE BOX

| LETTER | QTY | PART DESCRIPTION |
|--------|-----|--------------------------|
| A | 1 | Spine |
| B | 1 | Left tray assembly |
| C | 1 | Right tray assembly |
| D | 4 | Bolts (M8 x 1.25 x 55mm) |
| E | 1 | 6mm hex wrench |
| F | 1 | 4mm hex wrench |
| G | 1 | Hitch pin |
| H | 1 | Hitch pin lock |
| I | 2 | Key |



FOLLOW INSTRUCTIONS



VIEW OUR INSTALLATION VIDEO

[Saris.com/en/instructional-videos-1.html](https://saris.com/en/instructional-videos-1.html)



REGISTER YOUR PRODUCTS FOR UPDATES

[Saris.com/registration](https://saris.com/registration)



RELEVANT PATENTS

[Saris.com/patents](https://saris.com/patents)



TELL US WHAT YOU THINK

[Saris.com/feedback](https://saris.com/feedback)



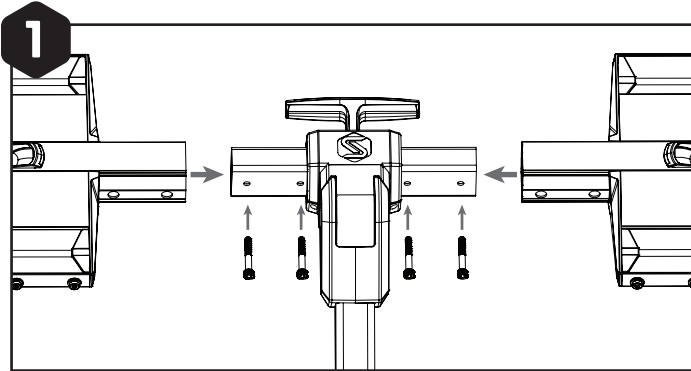
CUSTOMER SUPPORT

1-800-783-7257
support@saris.com
saris.com

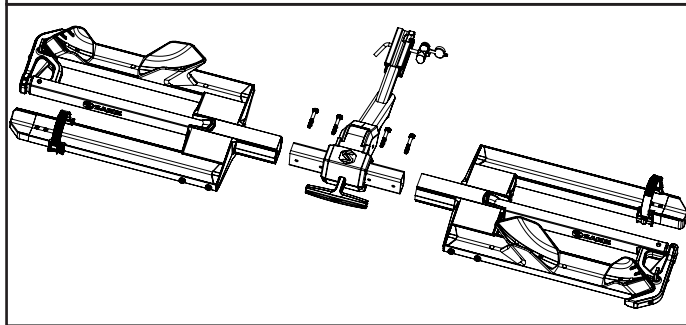
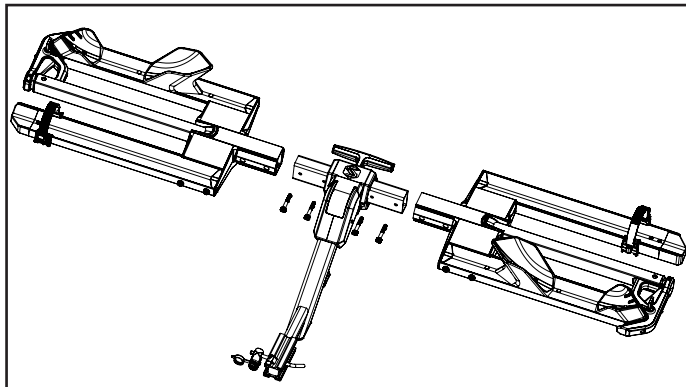
LOT CODE

ASSEMBLE RACK:

NOTE: Assembly of this rack may be easier while the spine is in your vehicle's hitch.

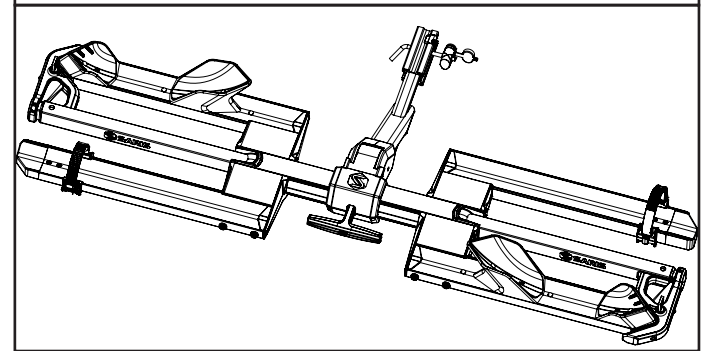
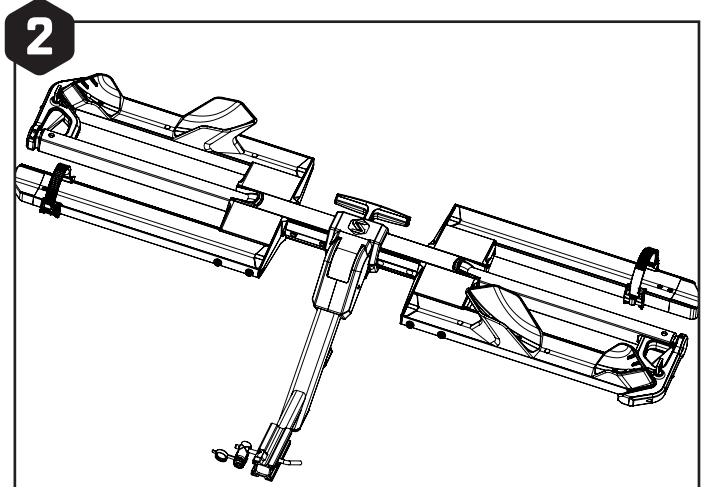


Slide left and right tray assemblies over main tube and secure with fasteners, as shown.



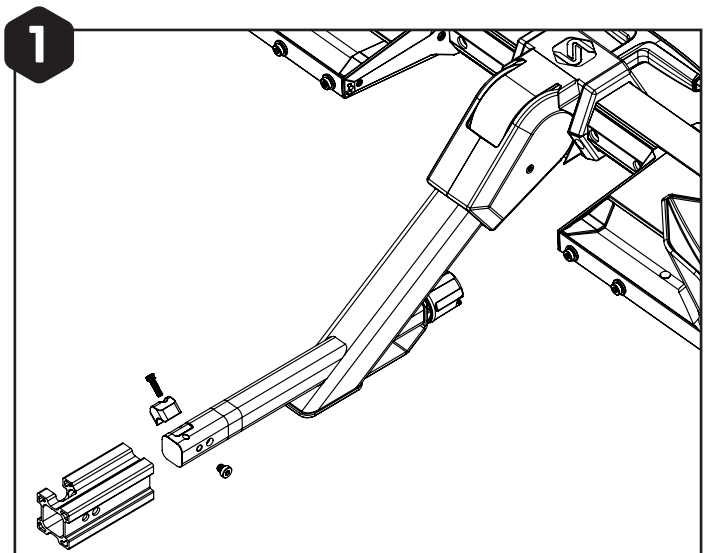
Fasteners should enter from the back side. Be sure to thread all fasteners before tightening.

ASSEMBLE RACK:



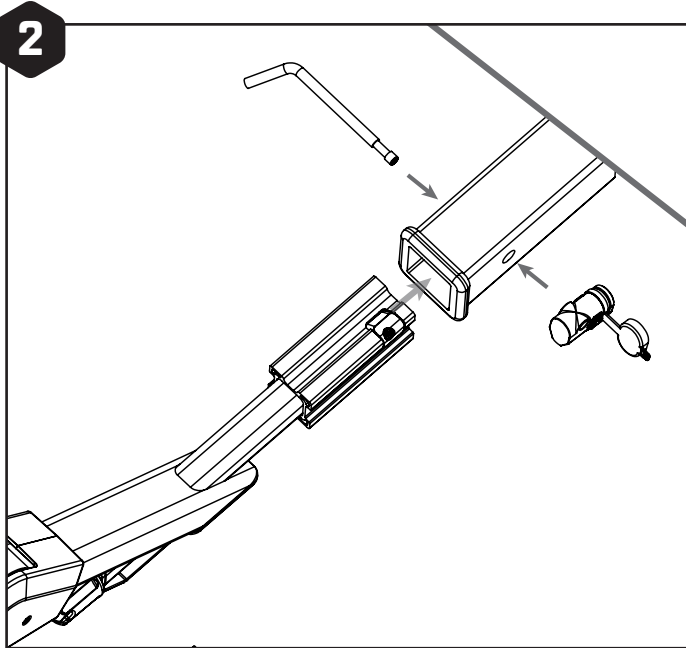
Using the 6mm hex wrench, tighten 4x fasteners to 25 N-m torque (220 in-lb).

ATTACH TO VEHICLE:



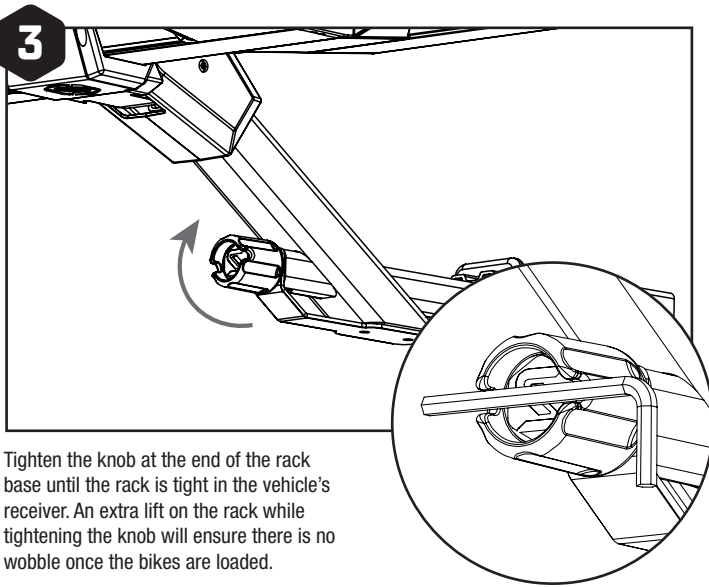
For 1.25" receivers, remove 2" adapter, as shown, using the 4mm hex wrench.

ATTACH TO VEHICLE:



Insert the rack into your hitch, matching the holes on your vehicle's receiver to the holes in the rack.

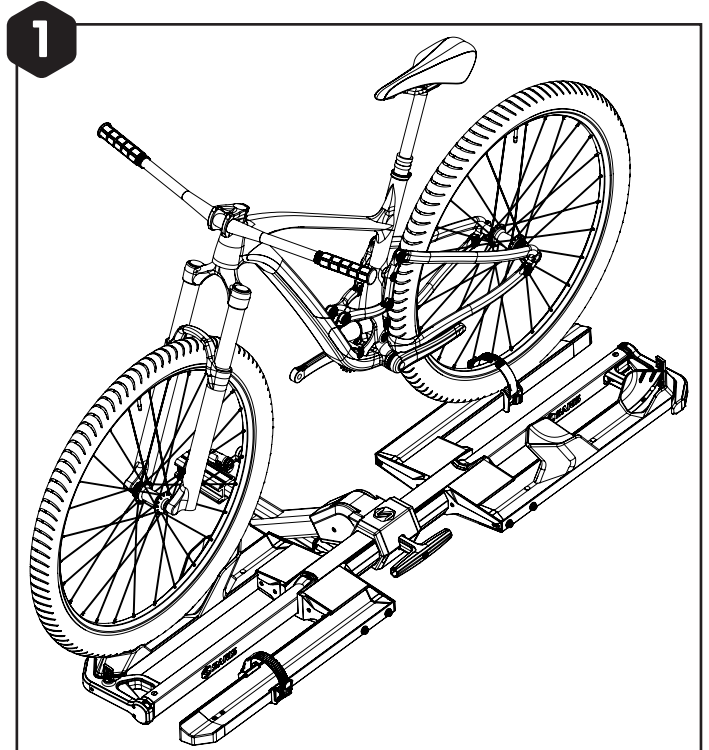
Install the hitch pin through the receiver pinhole and attach the lock.



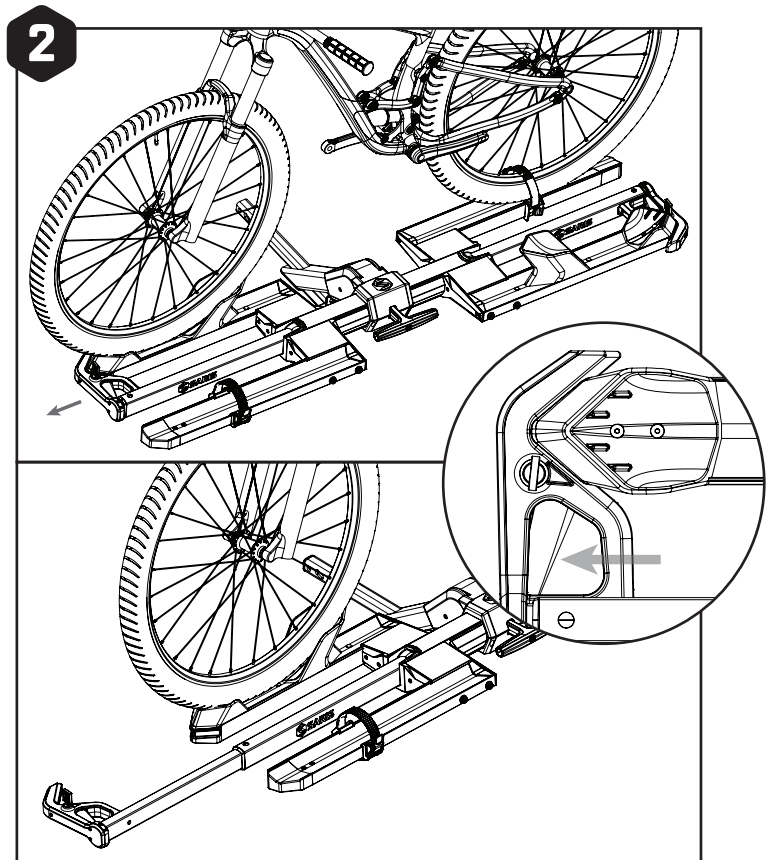
Tighten the knob at the end of the rack base until the rack is tight in the vehicle's receiver. An extra lift on the rack while tightening the knob will ensure there is no wobble once the bikes are loaded.

Note: the 6mm hex wrench can be inserted into the knob cutout to increase leverage, if desired.

INSTALL BIKES:



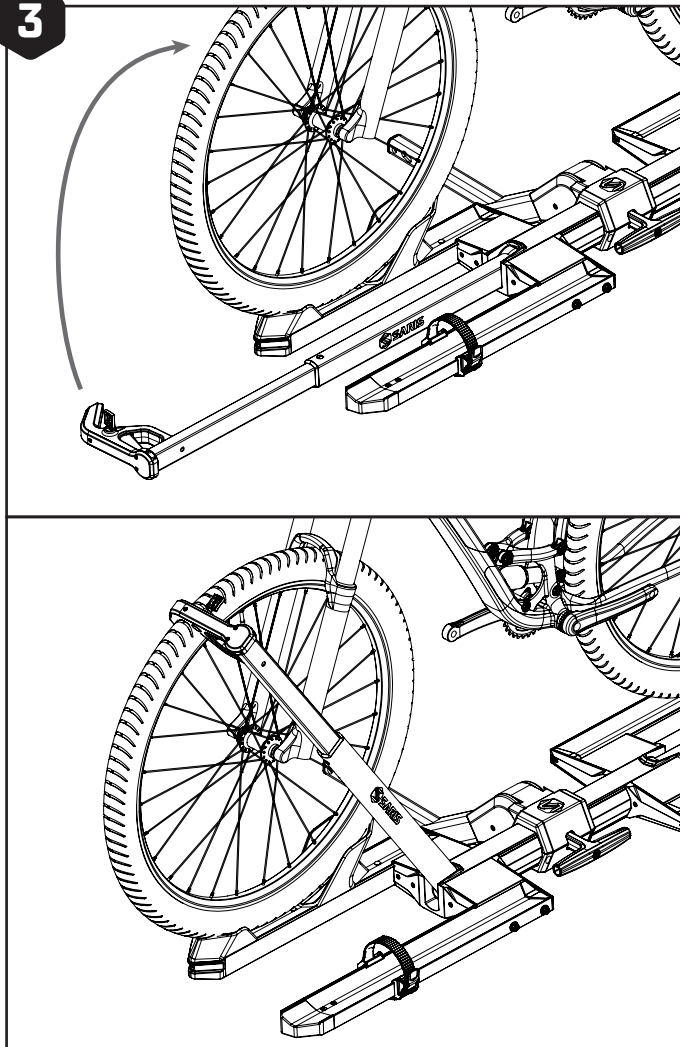
Place the front wheel in the wheel scoop, ensuring the tire contacts the back stop.



Press and hold the lever in the wheel hook and pull the arm out, as shown.

INSTALL BIKES:

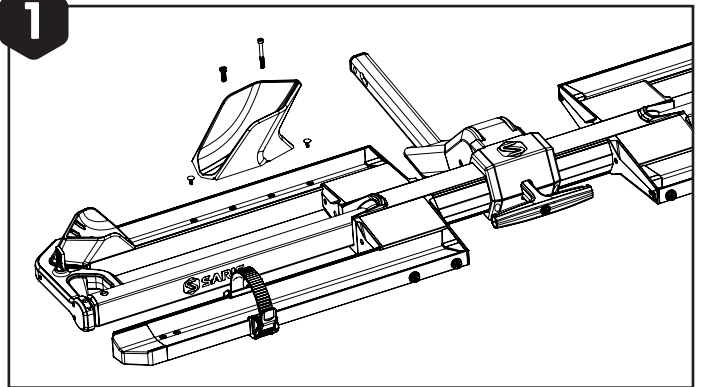
3



Bring the arm towards the bike until it stops. Then, release the hook and press tightly against the tire.

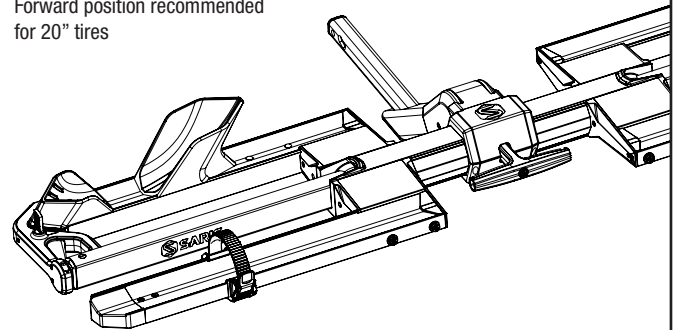
WHEEL TRAY ADJUSTMENT:

1

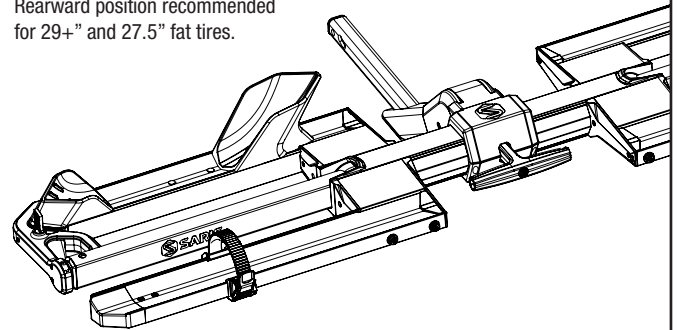


The front wheel trays have three positions to optimize tire fit and ensure clearance between bikes. To adjust front wheel tray forward or rearward, move the hardware and plug using the 4mm hex wrench, as shown.

Forward position recommended for 20" tires

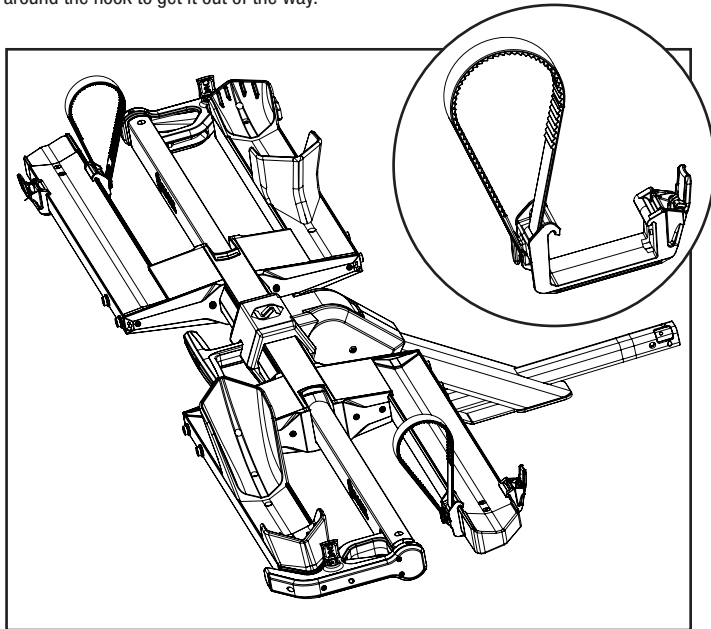


Rearward position recommended for 29+\" and 27.5\" fat tires.

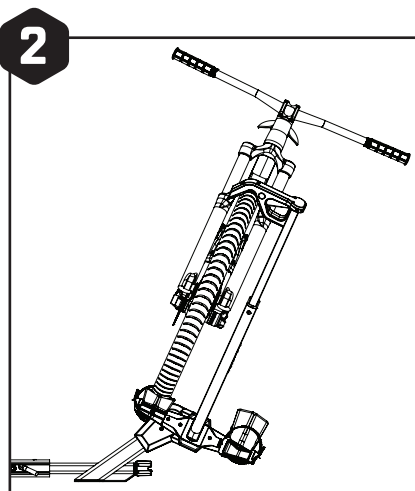
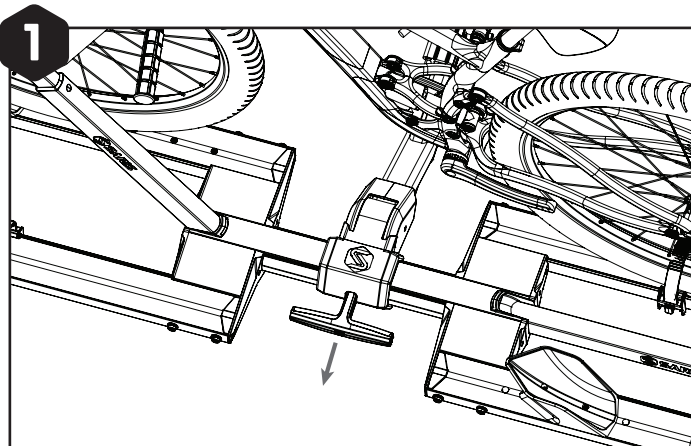


REAR WHEEL STRAP ATTACHMENT:

NOTE: For easy strap management while loading bikes, loop the end of the strap around the hook to get it out of the way.



HATCH ACCESS:

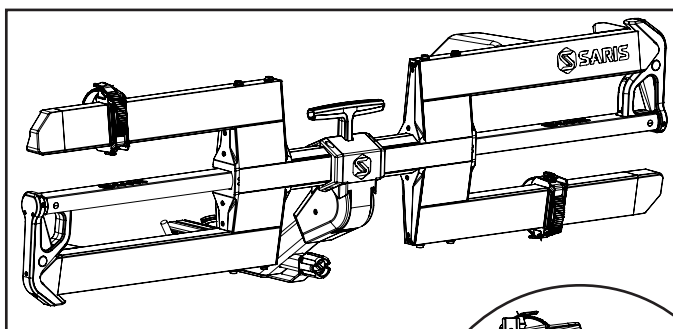


For hatch access with bikes installed on the rack, pull the lever at the end of the rack to tilt away. Use caution and be sure to support the weight of the bikes and rack when tilting away.

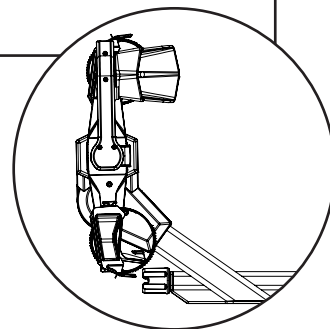
NOTE: We strongly recommend a second person help with lowering the rack with bikes installed.

⚠ CAUTION: When tilting the rack with bike loaded in inner position, be sure to hold bike when tilting to ensure it does not rotate towards vehicle.

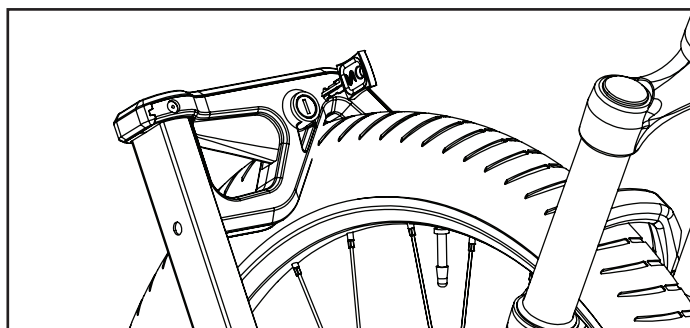
FOLDING:



Pull lever at the end of the rack and lift the rack to fold it up against your vehicle. The rack will make an audible click when back in position.



LOCK BIKES:



Use the included key to lock the front wheel hooks.

CAUTIONS:

- All requirements for compatibility/fit as stated in the current Saris vehicle/carrier compatibility guide must be followed. (Available at any Saris dealer or www.saris.com). If your vehicle is not listed or you have any questions, please call our customer service at 800-783-7257 or visit www.saris.com.
- Read and follow instructions carefully. Save owner's manual for future reference or parts information. Ensure that any other users of the bicycle carrier are familiar with their content.
- Drive slowly over speed bumps, 5 to 10 mph max speed.
- It is the end user's responsibility to ensure that use of this product meets all local and state laws.
- When cleaning vehicle and rack, use only water-soluble cleaners. Do not take rack through car wash.
- Ensure rack trays are a minimum of 12" from the ground when installed on the vehicle.
- Make sure bike tires are not directly behind exhaust pipe.
- Rack must be installed directly into vehicle hitch receiver or approved Saris accessory. Do not modify the hitch receiver or use hitch extenders.
- Not approved for use on RVs, tow-behind campers or trailers.
- Prior to usage on the road, remove all loose parts from bicycle, including (but not limited to) child seat, basket, lock, light, pump, etc.
- This carrier is not recommended for off-road use or use at speed exceeding 70 mph (113 km/h).
- The handling characteristics of a vehicle will change when a rear bicycles carrier is fitted and especially when it is loaded (in particular crosswind sensitivity, handling on bends and braking). Driving techniques should be altered to allow for these changes – reduce speed, especially on bends, and allow for longer braking distances.
- The vehicle's total length increases when the bike carrier is attached. The bikes themselves may increase the vehicle's total width and height. Take care when reversing and/or entering garages, ferries, etc.
- Remove carrier from vehicle when not in use.
- Tighten straps regularly during the journey.
- Vehicle should be in good condition in the area at which the hitch is located.
- Saris absolves itself of responsibility for any personal injuries or consequential damage to property or wealth caused by incorrect fitting or use.
- Do not exceed maximum load capacity of carrier (60 lbs max per bike tray) Secure properly and adjust for even load distribution, loading the heaviest/biggest bike first and closest to the vehicle. Minimum compatible wheel size 20". Maximum compatible wheel size: 29"x3" and 27.5" x 4.5". Minimum compatible wheelbase 28" Maximum compatible wheelbase: 52".

TECHNICAL SPECIFICATIONS:

Weight Capacity: 60 lb. x 2

Wheelbase: Minimum 28"; Maximum 52"

Wheel Size: Minimum 20"; Maximum 29" x 3" and 27.5" x 4.5"

MAINTENANCE AS NEEDED:

If hook arms become sticky, difficult to move, or do not retract on their own:

- Pull hook to fully extended position and clean inner arm tube.
- Flush water down inner arm tube and into the outer arm collar.
- Repeat until arm moves freely.
- Allow to dry, apply light, wax-based lubricant around the arm collar, and cycle the arm to allow the lubricant to reach the lower bushing surface.
- Wipe any excess lubricant off of the arm and collar area to prevent dirt build-up.

RECOMMENDED MAINTENANCE:

After Each Use:

- Check bike cradles and wheel scoops
- Check for loose bolts

Every 90 Day Actions:

- Clean with water and mild soap
- Lubricate locks if applicable (use wet, oil-based lubricant; NO WD-40)
- Check for scratches in paint

OFFICIAL WARRANTY TERMS:

Saris Equipment, Inc., parent company of Saris Racks, warrants our products to the original consumer to be free from defects in materials and workmanship. Your purchase includes the following warranty which is in lieu of all other express warranties. This warranty is extended only to the initial consumer purchaser. This warranty gives you specific legal rights. You may have other legal rights which vary from state to state. Please retain your sales slips for your records, as proof of purchase will be required.

WARRANTY TERM:

| | |
|-------------------------|-------------------|
| Car Racks | Limited Lifetime* |
| Home Storage/Bike Racks | Limited Lifetime* |
| Parking Racks | 1 year |

*Warranty only valid for original purchaser. Limited lifetime warranty available in North America only.

Manufacturing defects are most likely to be identified on new products or early in the product's lifespan. Each warranty claim is unique, and it is solely up to Saris Equipment to determine if a product can be covered by the limited lifetime warranty due to defects, or if the product has suffered wear and tear.

Any product or part thereof found to be defective within the term as set forth above will be replaced without charge provided that: (1) its failure resulted from a defect in material or workmanship and not from normal wear and tear expected in the use of the product; (2) the product was not abused, misused, improperly assembled, improperly maintained or damaged by accident or installation of parts or accessories not originally intended or compatible with the racks as originally sold; (3) there was no failure to follow instructions or warnings in the Owner's Manual; (4) no alterations or modifications were made; and (5) the product or part is delivered, freight prepaid, to Saris Equipment or an authorized service center. Please call 1-800-783-7257 to obtain return authorization prior to return. Any other claims not included in the statements above are void and will not be honored. Saris Equipment reserves the right to inspect any product before issuing a replacement. Saris Equipment's only obligation shall be to replace such products or parts that it determines are defective.

LIMITATIONS:

THE FOREGOING WARRANTIES ARE THE ONLY WARRANTIES MADE BY SARIS EQUIPMENT. THERE ARE NO OTHER WARRANTIES. ANY WARRANTY THAT MIGHT OTHERWISE BE IMPLIED BY LAW INCLUDING, BUT NOT LIMITED TO ANY IMPLIED WARRANTY OF MERCHANTABILITY OR FITNESS FOR A PARTICULAR PURPOSE ARE LIMITED STRICTLY TO THE APPLICABLE LENGTH OF THIS LIMITED WARRANTY.

Saris Equipment shall not be liable for incidental or consequential losses, damages, or expenses in connection with its products. Saris Equipment's liability hereunder is expressly limited to the replacement of goods not complying with this warranty or, at Saris Equipment's election, to the repayment of an amount of the purchase price of the product in question.

EXCLUSIONS:

- If consumer does not comply with all warnings, cautions, or instructions listed in Instruction Manual, damage is not covered under warranty
- Impact/collision damage is not covered under warranty
- Cradles and strap damage due to improper arm placement are not covered under warranty
- Carrying anything other than a bicycle is not covered under warranty
- Rust is wear and tear and is preventable with rack maintenance
- Weather impact (UV, salt air/water)
- Damage to mounting surface
- Damage or loss resulting from failure to replace/maintain consumable items not covered
- Not following Recommended Rack Maintenance
- Consumable parts are not covered by warranty. Including but not limited to:
 - Arm and wheel tray adjustment knobs
 - Frame and wheel straps
 - Vehicle attachment straps
 - Molded wheel trays
 - Frame cradles
 - Threaded assemblies
 - Ratcheting assemblies