

Freedom 2-Bike #4062

Assembly Instructions | Instrucciones de montaje | Instructions d'assemblage

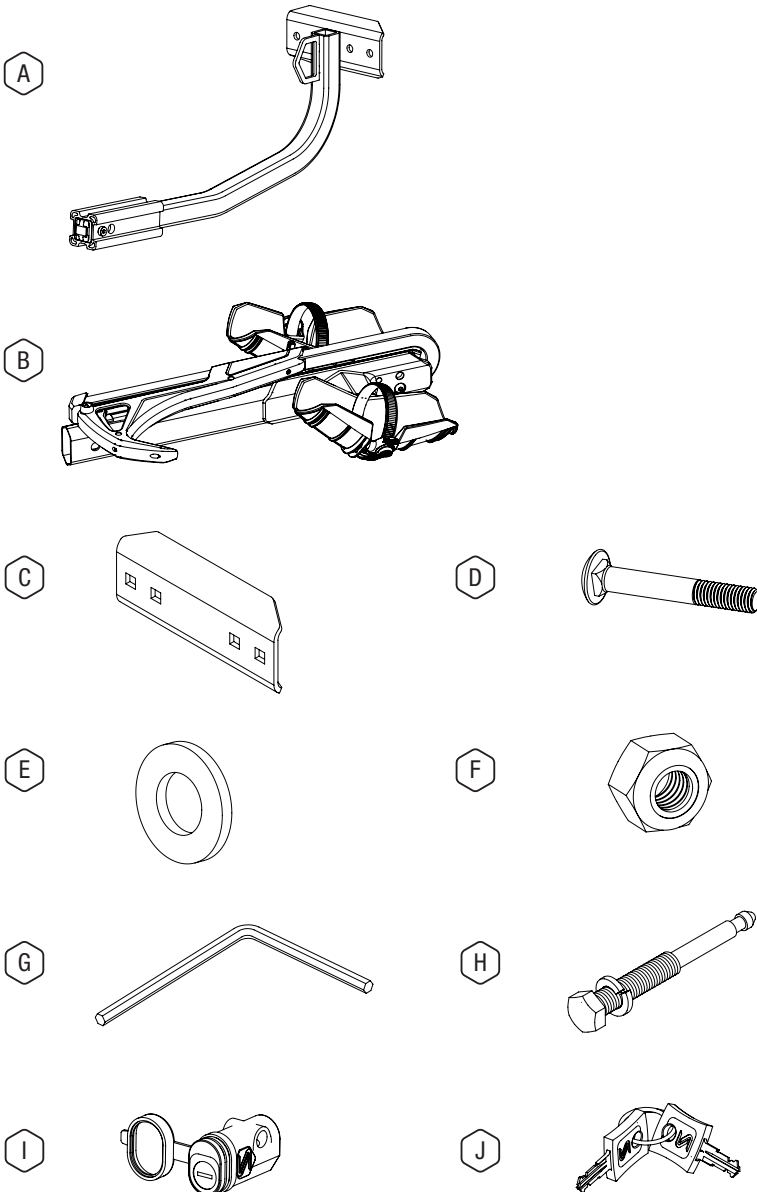


WHAT'S IN THE BOX

LETTER	QTY	PART DESCRIPTION
A	1	Spine
B	2	Tray/arm assembly
C	1	Front plate
D	4	Carriage bolts (M10 x 70mm)
E	4	Washers (M10)
F	4	Nylock nuts (M10)
G	1	5mm Hex Wrench
H	1	Hitch pin and lock washer
I	1	Hitch pin lock
J	1	Keys

TOOLS NEEDED:

17 mm or 11/16" socket or open-end wrench
 3/4" or 19mm socket or open-end wrench
 OR
 Adjustable wrench
 Torque wrench (optional)



FOLLOW INSTRUCTIONS



VIEW OUR INSTALLATION VIDEO

[Saris.com/en/instructional-videos-1.html](https://saris.com/en/instructional-videos-1.html)



REGISTER YOUR PRODUCTS FOR UPDATES

[Saris.com/registration](https://saris.com/registration)



RELEVANT PATENTS

[Saris.com/patents](https://saris.com/patents)



TELL US WHAT YOU THINK

[Saris.com/feedback](https://saris.com/feedback)

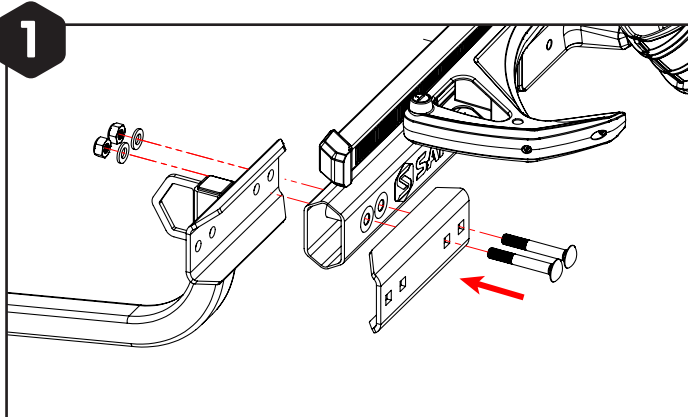


CUSTOMER SUPPORT

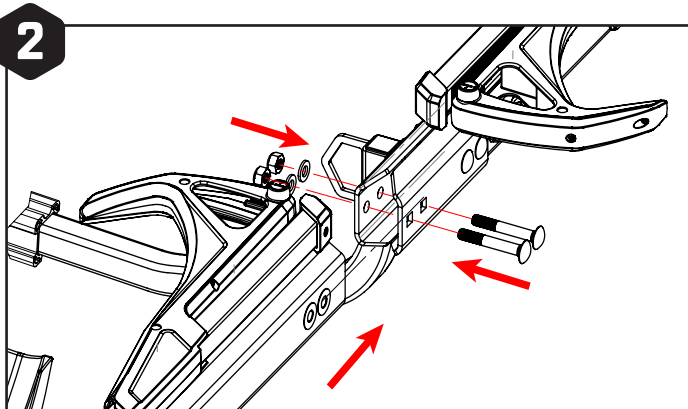
1-800-783-7257
support@saris.com
saris.com

ASSEMBLE RACK:

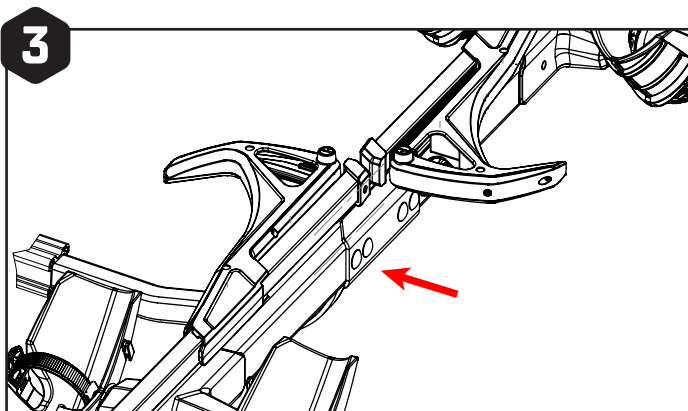
NOTE: Assembly of this rack may be easier while the spine is in your vehicle's hitch.



Secure first tray assembly to the spine plate with the front plate. Secure with carriage bolts, washers, and nuts as shown. Fasteners should enter from the front side. Secure with nuts and washers on the backside. Tighten the nuts about halfway.



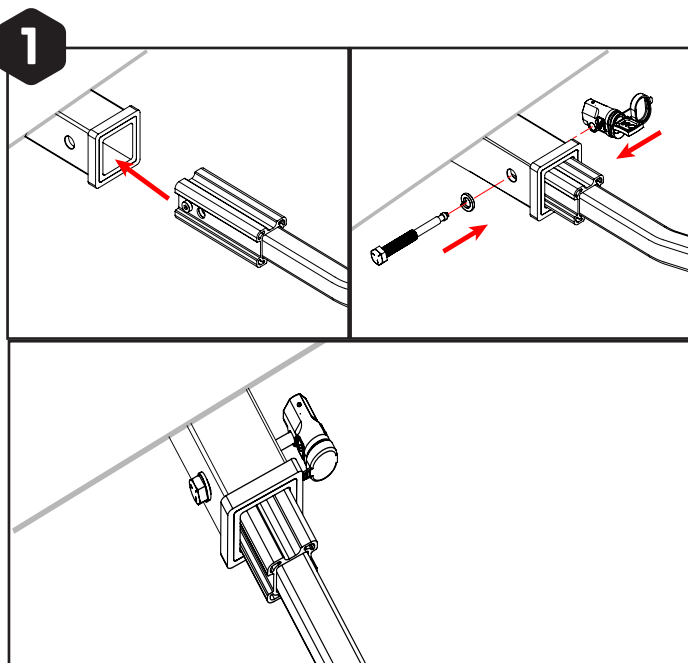
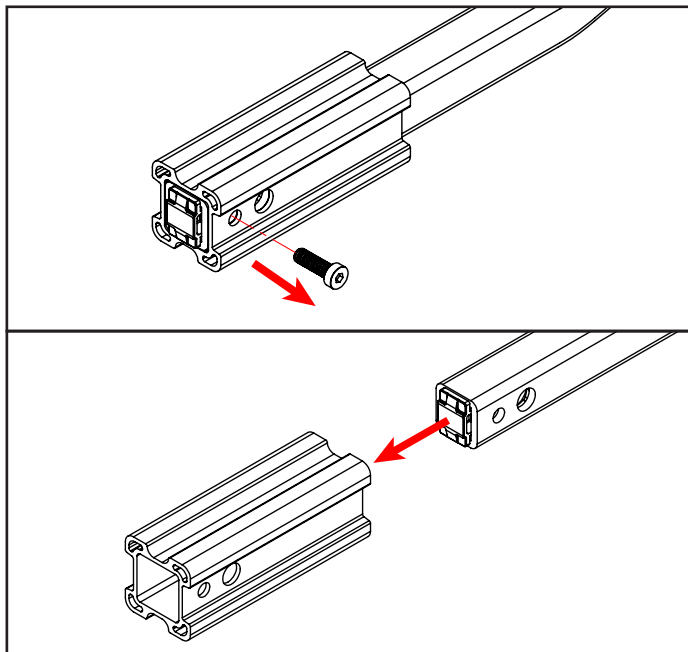
Next, install second side of the rack by securing the front plate to the tray half and spine plate using the carriage bolts, washers, and nuts.



Using a 17mm wrench, tighten 4x fasteners to 48N-m torque. (36 ft-lb)

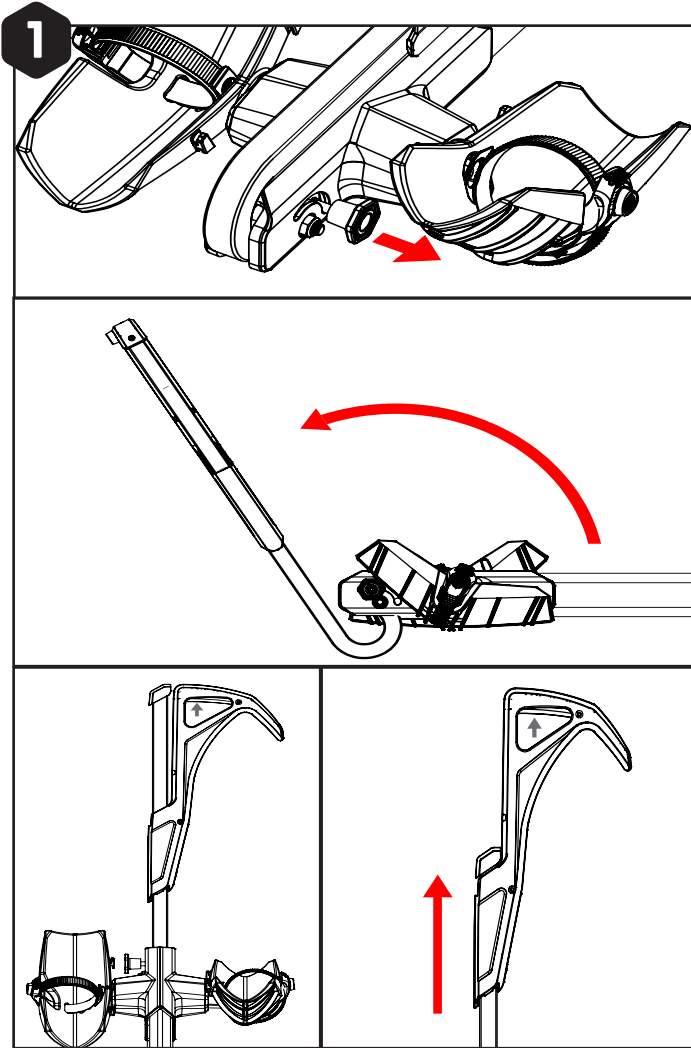
ATTACH TO VEHICLE:

For 1.25" receivers only, remove 2" adapter as shown.

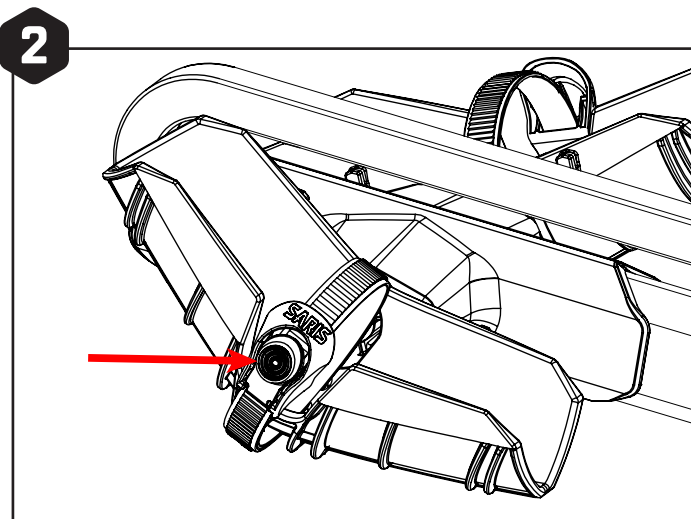


Insert into the hitch and match up the holes on the vehicle's receiver to the holes in the rack. Install washers on the hitch pin as shown. Install the hitch pin from the driver's side and thread in the hitch pin. Tighten with $\frac{3}{4}$ " wrench or socket and attach lock.

INSTALL BIKES:

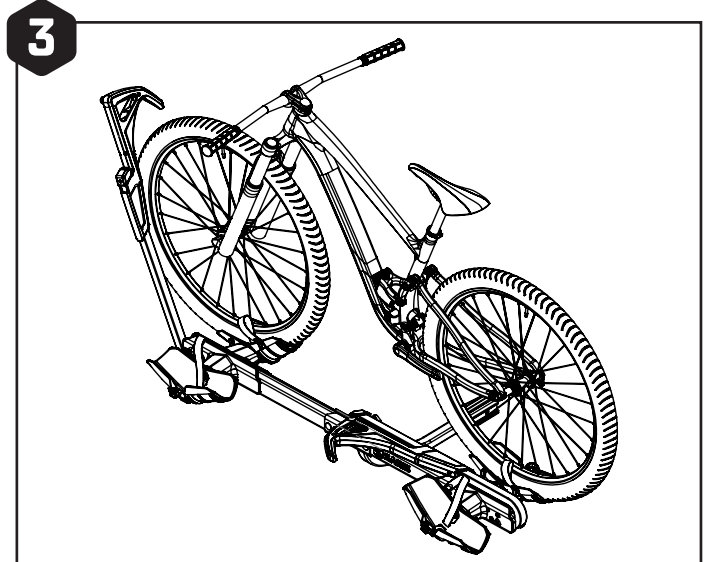


Open rack arms fully by pulling the knob near the wheel tray and rotating the arm until it stops. Pull the lever on the wheel hook and slide the hook up until it stops.

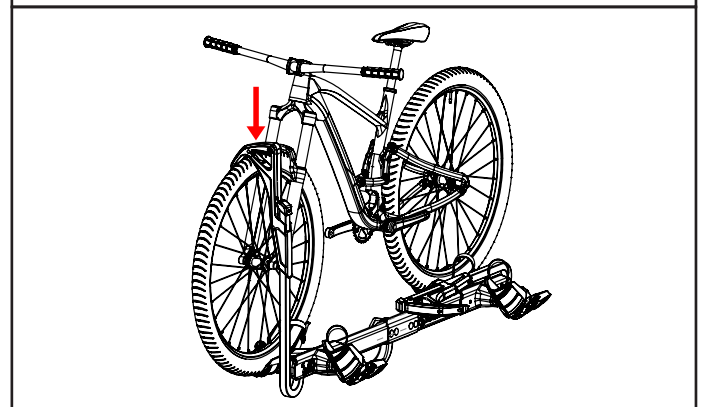
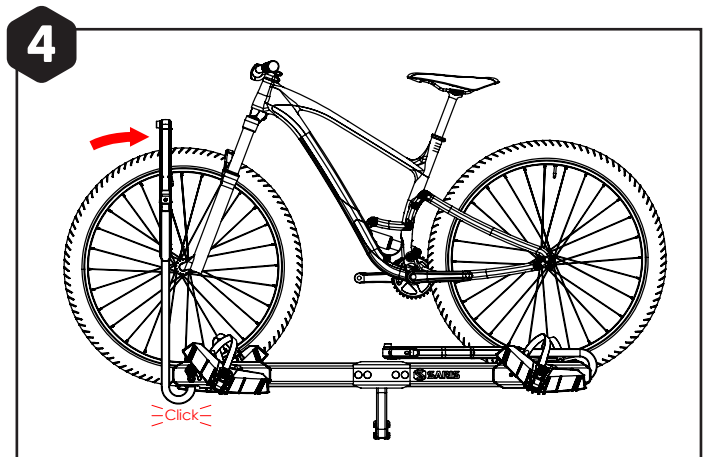


Open wheel straps by pressing the button on the strap and pulling the end of the strap through the buckle.

INSTALL BIKES:



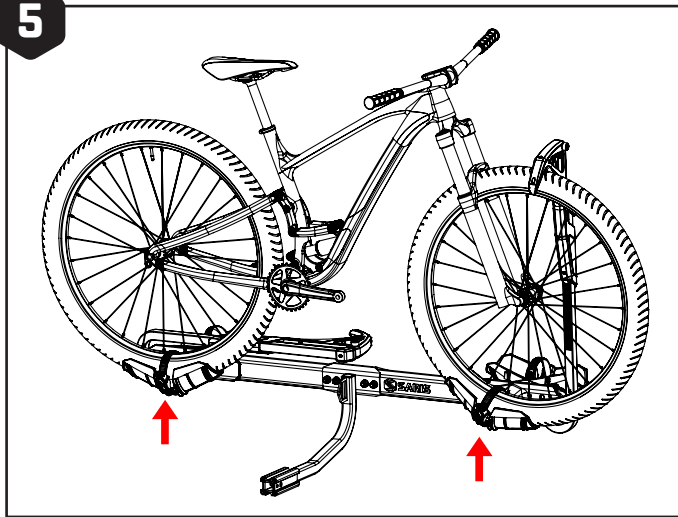
Place the front wheel in the front wheel scoop and the rear wheel in the rear wheel scoop. (Note: Front wheel scoop is on the same side as the wheel hook arm.) Continue to support the bike with one hand.



Rotate the arm over the front wheel until it locks into the vertical position and you hear an audible click. Press hook down firmly on front tire.

INSTALL BIKES:

5



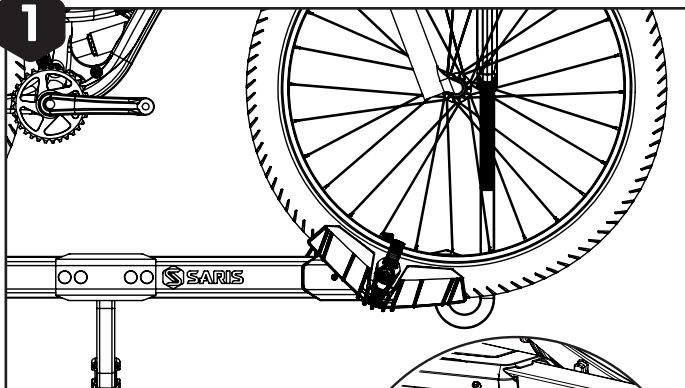
Tighten both rear and front wheel straps.

*Clean mud, dirt, and debris from the rim before tightening the strap.

WHEEL TRAY ADJUSTMENT:

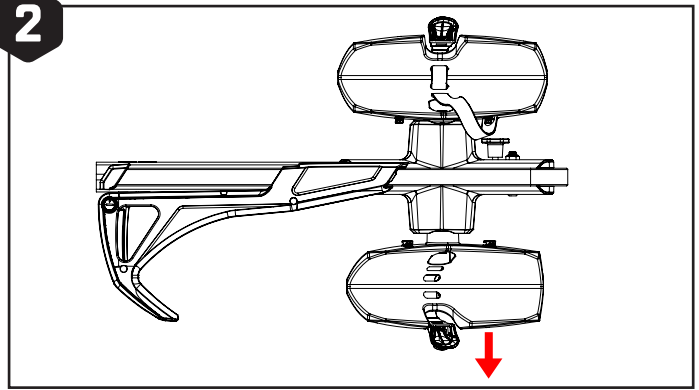
The front wheel trays have 2 positions to optimize tire fit and ensure clearance between bikes.

1

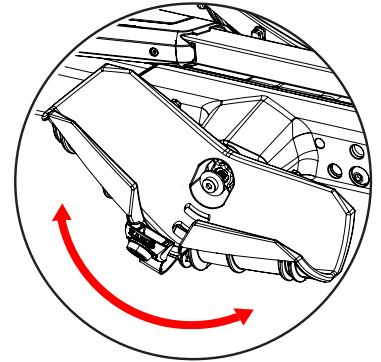


Loosen the tray bolt with the provided 5mm hex wrench.

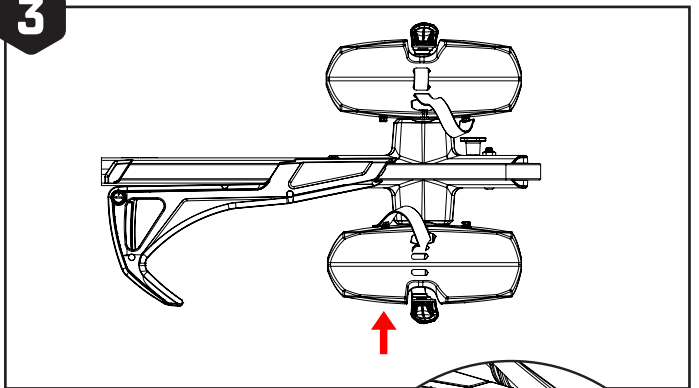
2



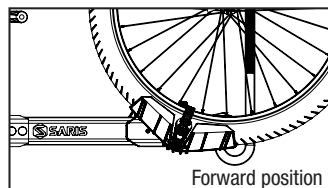
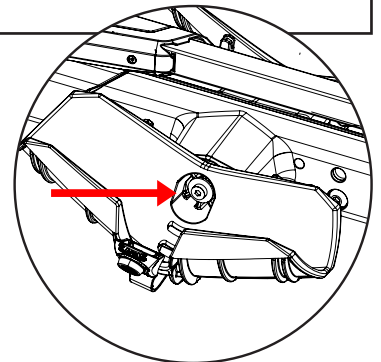
Pull the wheel tray out of the holder, about 1/2", and rotate the tray until it stops.



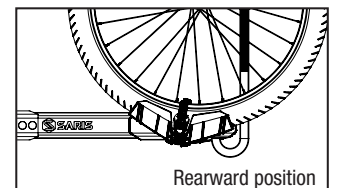
3



Push the tray into the secondary position. *The tray can only be installed properly in 2 positions. Tighten the bolt (10 Ft-lb).



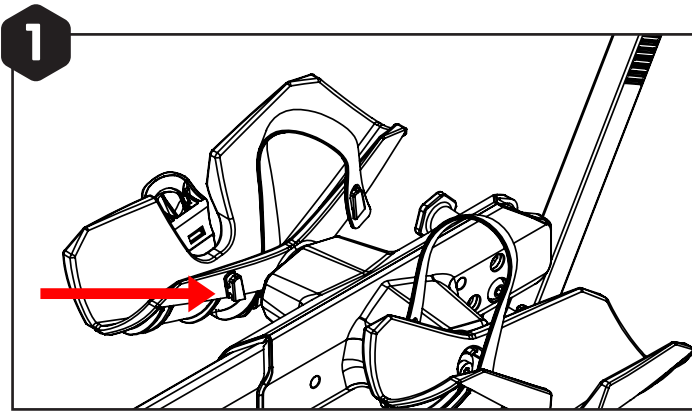
Forward position



Rearward position

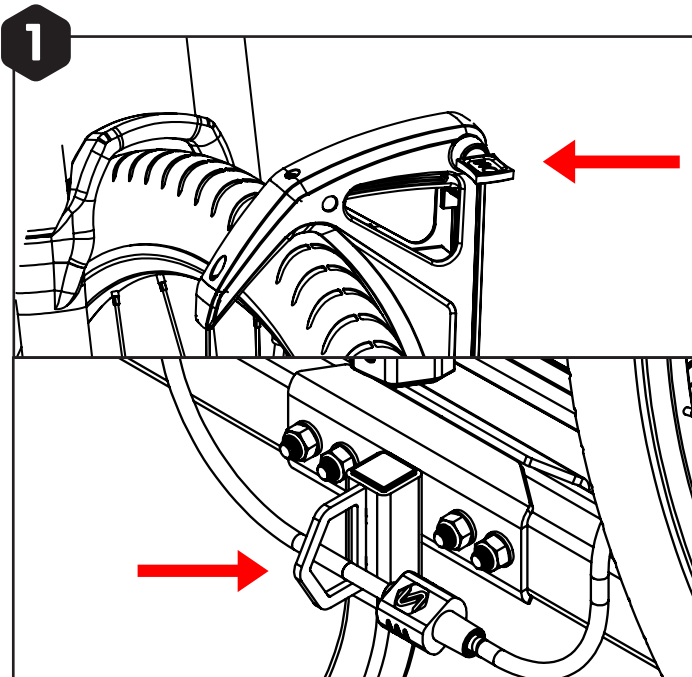
Forward position recommended for 24, 26, 27.5, & 29" tires / up to 52" wheelbase max.
Rearward position recommended for 20" tires, minimum 35" wheelbase.

WHEEL STRAP WRANGLER:



*For easy strap management while loading bikes, loop the end of the strap around the hook to get it out of the way

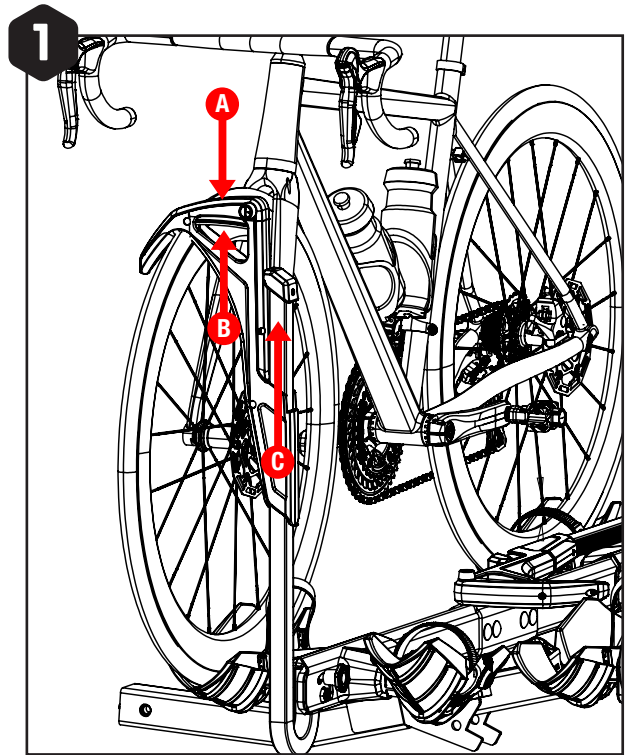
LOCK BIKES:



Use key to lock hook as shown.

*Locking Cable not included

UNINSTALL BIKE TIPS:



When unloading a bike, first, remove both wheel straps from the wheels. Next, push down on the top of the hook and hold pressure there (A). Squeeze the hook trigger to release the ratchet mechanism that allows the hook to move freely (B). Continue to squeeze the trigger while moving the hook away from the wheel (C).

CAUTIONS:

- All requirements for compatibility/fit as stated in the current Saris vehicle/carrier compatibility guide must be followed. (Available at any Saris dealer or www.saris.com). If your vehicle is not listed or you have any questions, please call our customer service at 800-783-7257 or visit www.saris.com.
- Read and follow instructions carefully. Save owner's manual for future reference or parts information. Ensure that any other users of the bicycle carrier are familiar with their content.
- Drive slowly over speed bumps, 5 to 10 mph max speed.
- It is the end user's responsibility to ensure that use of this product meets all local and state laws.
- When cleaning vehicle and rack, use only water-soluble cleaners. Do not take rack through car wash.
- Ensure rack trays are a minimum of 12" from the ground when installed on the vehicle.
- Make sure bike tires are not directly behind exhaust pipe.
- Rack must be installed directly into vehicle hitch receiver or approved Saris accessory. Do not modify the hitch receiver or use hitch extenders.
- Not approved for use on RVs, tow-behind campers or trailers.
- Prior to usage on the road, remove all loose parts from bicycle, including (but not limited to) child seat, basket, lock, light, pump, etc.
- This carrier is not recommended for off-road use or use at speed exceeding 70 mph (113 km/h).
- The handling characteristics of a vehicle will change when a rear bicycles carrier is fitted and especially when it is loaded (in particular crosswind sensitivity, handling on bends and braking). Driving techniques should be altered to allow for these changes – reduce speed, especially on bends, and allow for longer braking distances.
- The vehicle's total length increases when the bike carrier is attached. The bikes themselves may increase the vehicle's total width and height. Take care when reversing and/or entering garages, ferries, etc.
- Remove carrier from vehicle when not in use.
- Tighten straps regularly during the journey.
- Vehicle should be in good condition in the area at which the hitch is located.
- Saris absolves itself of responsibility for any personal injuries or consequential damage to property or wealth caused by incorrect fitting or use.
- Do not exceed maximum load capacity of carrier (60 lbs max per bike tray) Secure properly and adjust for even load distribution, loading the heaviest/biggest bike first and closest to the vehicle. Minimum compatible wheel size 20". Maximum compatible wheel size: 29"x3" and 27.5" x 3". Minimum compatible wheelbase: 35". Maximum compatible wheelbase: 52".

TECHNICAL SPECIFICATIONS:

Weight Capacity 60lb x2

Wheelbase / wheel size 50" max, 35" min

RECOMMENDED MAINTENANCE:

After Each Use:

- Check bike cradles and wheel scoops
- Check for loose bolts

Every 90 Day Actions:

- Clean with water and mild soap
- Lubricate locks if applicable (use wet, oil-based lubricant; NO WD-40)

OFFICIAL WARRANTY TERMS:

Saris Equipment, Inc., parent company of Saris Racks, warrants our products to the original consumer to be free from defects in materials and workmanship. Your purchase includes the following warranty which is in lieu of all other express warranties. This warranty is extended only to the initial consumer purchaser. This warranty gives you specific legal rights. You may have other legal rights which vary from state to state. Please retain your sales slips for your records, as proof of purchase will be required.

WARRANTY TERM:

Car Racks	Limited Lifetime*
Home Storage/Bike Racks	Limited Lifetime*
Parking Racks	1 year

*Warranty only valid for original purchaser. Limited lifetime warranty available in North America only.

Manufacturing defects are most likely to be identified on new products or early in the product's lifespan. Each warranty claim is unique, and it is solely up to Saris Equipment to determine if a product can be covered by the limited lifetime warranty due to defects, or if the product has suffered wear and tear.

Any product or part thereof found to be defective within the term as set forth above will be replaced without charge provided that: (1) its failure resulted from a defect in material or workmanship and not from normal wear and tear expected in the use of the product; (2) the product was not abused, misused, improperly assembled, improperly maintained or damaged by accident or installation of parts or accessories not originally intended or compatible with the racks as originally sold; (3) there was no failure to follow instructions or warnings in the Owner's Manual; (4) no alterations or modifications were made; and (5) the product or part is delivered, freight prepaid, to Saris Equipment or an authorized service center. Please call 1-800-783-7257 to obtain return authorization prior to return. Any other claims not included in the statements above are void and will not be honored. Saris Equipment reserves the right to inspect any product before issuing a replacement. Saris Equipment's only obligation shall be to replace such products or parts that it determines are defective.

LIMITATIONS:

THE FOREGOING WARRANTIES ARE THE ONLY WARRANTIES MADE BY SARIS EQUIPMENT. THERE ARE NO OTHER WARRANTIES. ANY WARRANTY THAT MIGHT OTHERWISE BE IMPLIED BY LAW INCLUDING, BUT NOT LIMITED TO ANY IMPLIED WARRANTY OF MERCHANTABILITY OR FITNESS FOR A PARTICULAR PURPOSE ARE LIMITED STRICTLY TO THE APPLICABLE LENGTH OF THIS LIMITED WARRANTY.

Saris Equipment shall not be liable for incidental or consequential losses, damages, or expenses in connection with its products. Saris Equipment's liability hereunder is expressly limited to the replacement of goods not complying with this warranty or, at Saris Equipment's election, to the repayment of an amount of the purchase price of the product in question.

EXCLUSIONS:

- If consumer does not comply with all warnings, cautions, or instructions listed in Instruction Manual, damage is not covered under warranty
- Impact/collision damage is not covered under warranty
- Cradles and strap damage due to improper arm placement are not covered under warranty
- Carrying anything other than a bicycle is not covered under warranty
- Rust is wear and tear and is preventable with rack maintenance
- Weather impact (UV, salt air/water)
- Damage to mounting surface
- Damage or loss resulting from failure to replace/maintain consumable items not covered
- Not following Recommended Rack Maintenance
- Consumable parts are not covered by warranty. Including but not limited to:
 - Arm and wheel tray adjustment knobs
 - Frame and wheel straps
 - Vehicle attachment straps
 - Molded wheel trays
 - Frame cradle
 - Threaded assemblies
 - Ratcheting assemblies